

oerlikon
barmag

Precision gear metering pumps

For industrial applications



Volumetric metering of the highest precision

Gear metering pumps are designed as plate pumps. To this end, the gears are fitted into the center plate of the pumps with a precisely defined axial clearance.

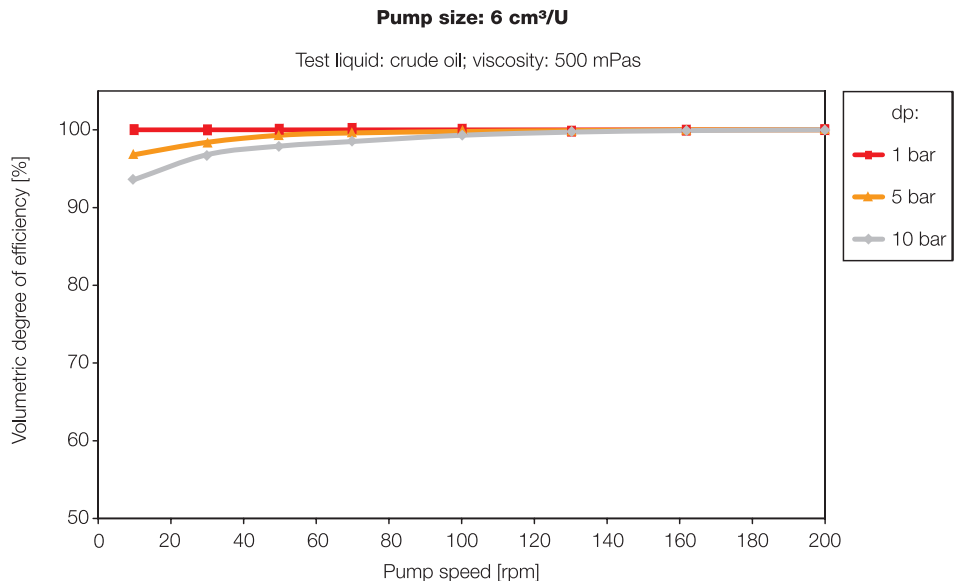
Due to their construction design, gear metering pumps achieve volumetric degrees of efficiency > 90% in this layout with – predominantly – operation point-independent characteristics. This means that the metering quantity can be accurately set using the pump speed. Metering pumps are operated at considerably lower speeds than in the case of conveying pumps, with common speeds of between 20 and 200 rpm, depending on the conveying medium.

However, accurate metering not only presupposed the fast and reproducible setting of the operating point, but also a low-pulsation feed of the conveying medium. It is obvious that gear metering pumps offer considerable advantages over other types of pumps.

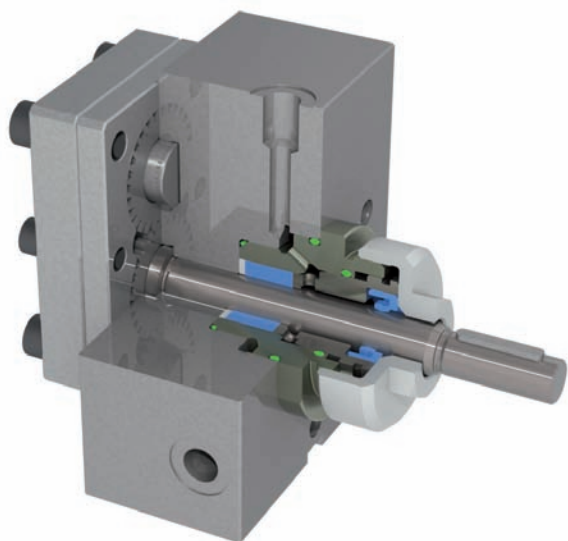
Highlights

- Rotational direction: clockwise / anticlockwise (beginning with 0.6 cc/rev.)
- Prepared for use with sealing liquid, which prevents intake of air during operation
- High volumetric degree of efficiency
- Reliable conveying medium temperatures of up to 140 °C
- Installation dimensions identical regardless of the pump size
- Modular structure, hence shorter delivery times, fast spare parts provision and fast process-specific operation adjustments possible
- Various drive shaft seal systems available
- Exchangeable seal systems

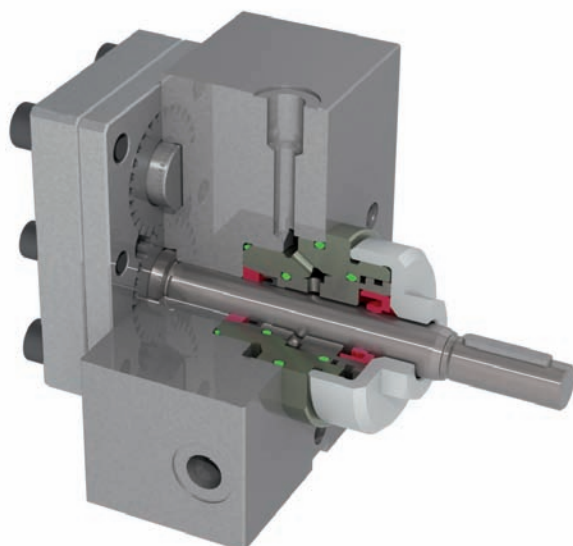
Volumetric degree of efficiency



Design variants



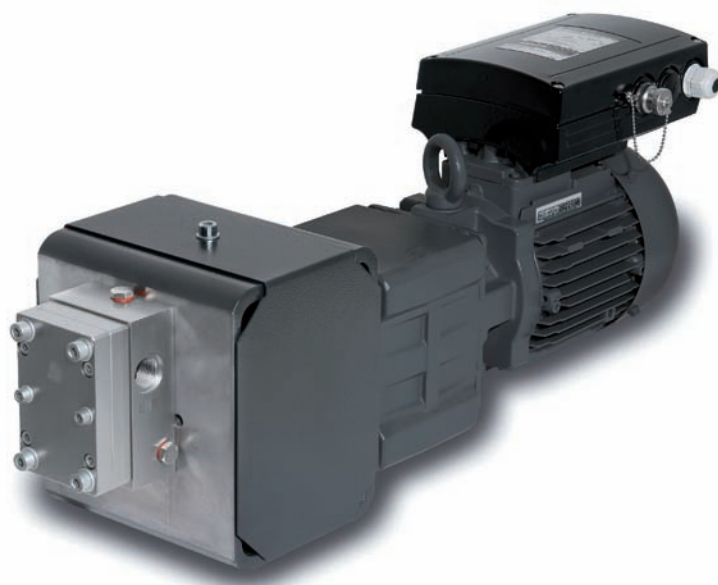
Stuffing box



Shaft seal ring

Accessories - optional

- Gear motors including frequency inverter (Profibus possible)
- Operating unit for speed control
- Buffer fluid filling set
- ATEX certificate



GM pump with drive unit

Oerlikon Barmag

Zweigniederlassung der
Oerlikon Textile GmbH & Co. KG
Leverkuser Straße 65
P.O. Box 11 0240
42862 Remscheid
Germany

Phone +49 21 91 67-0

Fax +49 21 91 67-1794

www.oerlikon.com/manmade-fibers

pumpsales.barmag@oerlikon.com



Id-No. 1435394
www.bvdm-online.de