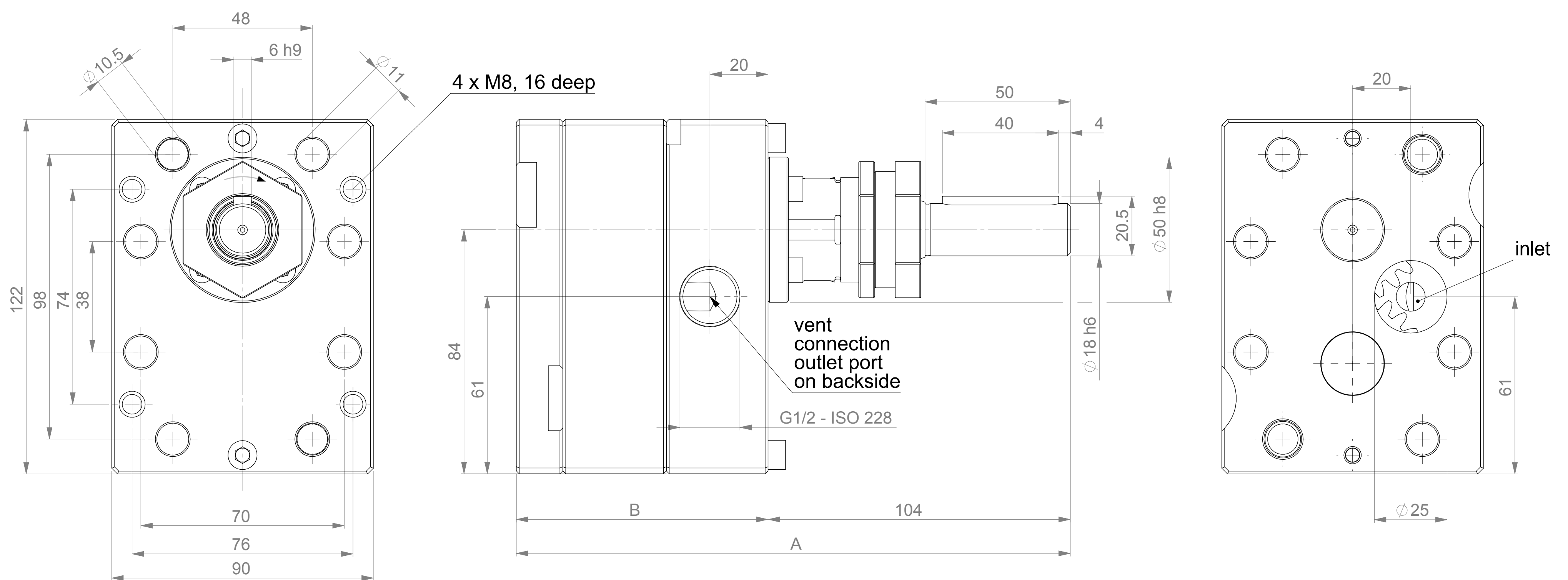
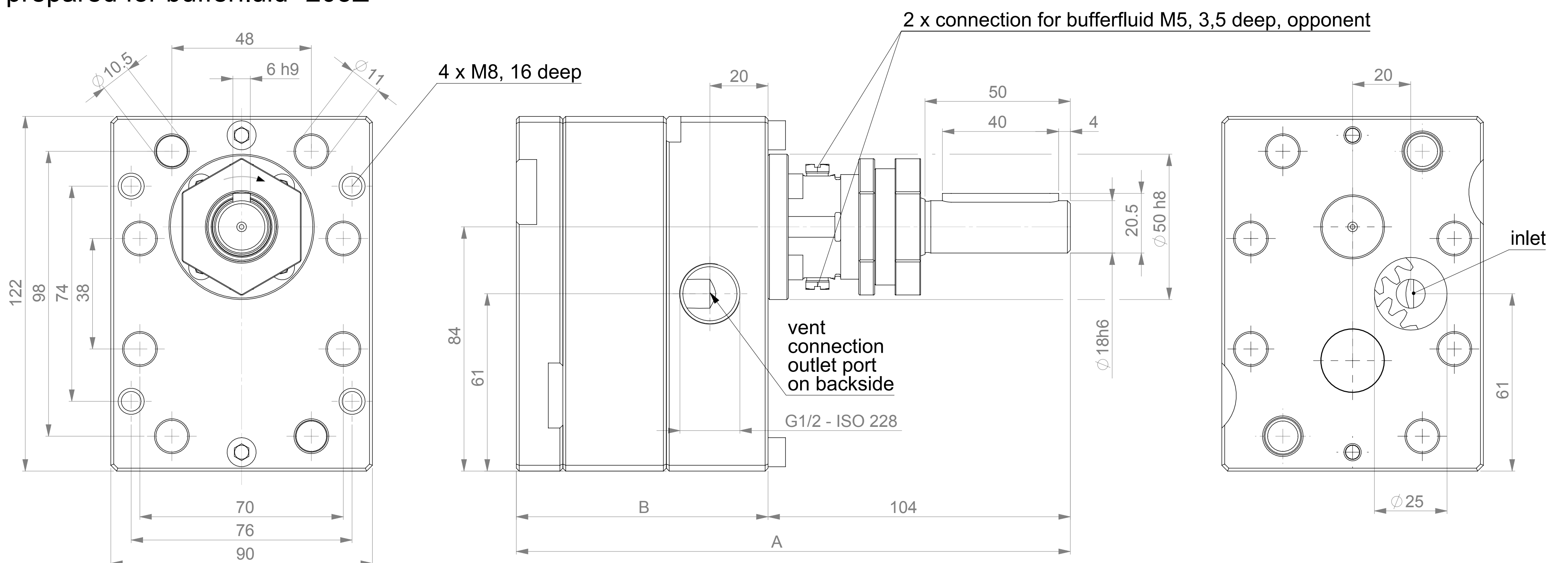


without bufferfluid -202Z



prepared for bufferfluid -203Z



pumptype	feed capacity cc/rev	A mm	B mm	weight ca. kg	max. inlet pressure bar	max. outlet pressure bar	temperature max. °C
GA121G-1-202Z/ -203Z	1 x 1.25	160,2	56,2	4,9	10	250	225
GA251G-1-202Z/ -203Z	1 x 2.5	163,9	59,9	5,3	10	250	225
GA501G-1-202Z/ -203Z	1 x 5	163,9	59,9	5,2	10	250	225
GAA01G-1-202Z/ -203Z	1 x 10	172,8	68,8	5,9	10	250	225
GAB01G-1-202Z/ -203Z	1 x 20	190,6	86,6	7,5	10	250	225
GAC01G-1-202Z/ -203Z	1 x 30	208,4	104	9,0	10	250	225